

FLEUR LINE

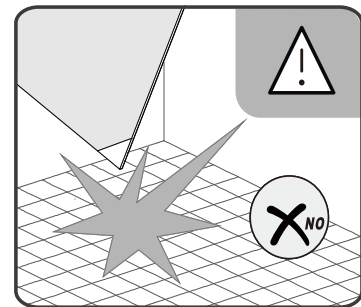
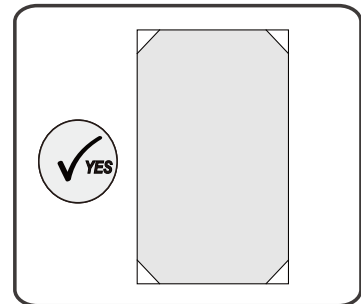
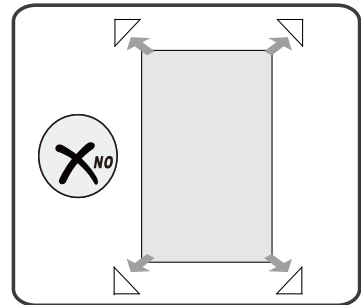
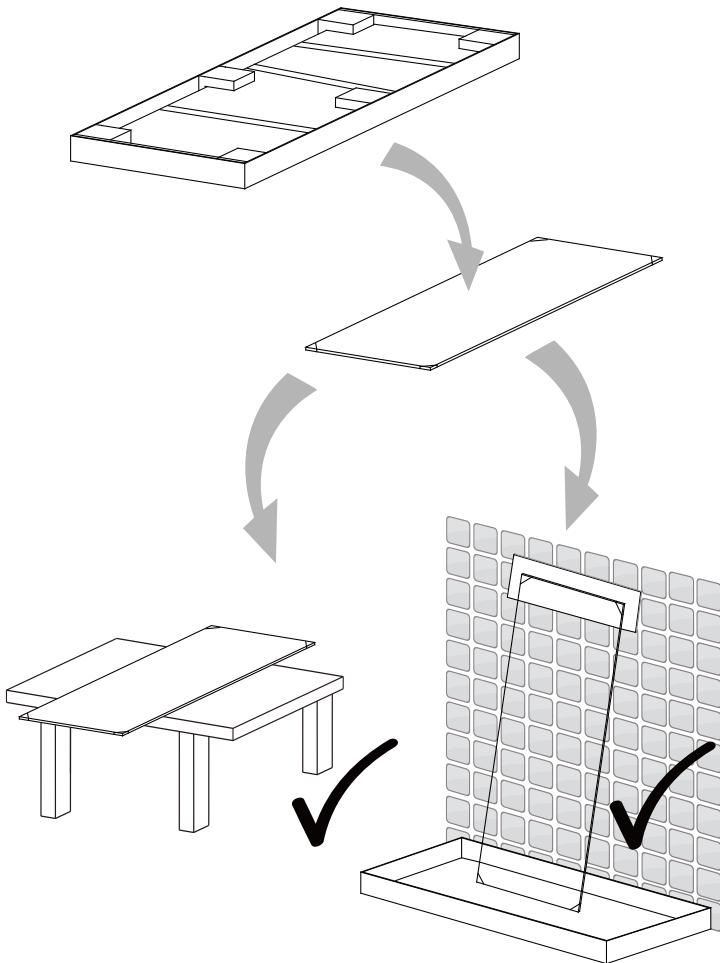
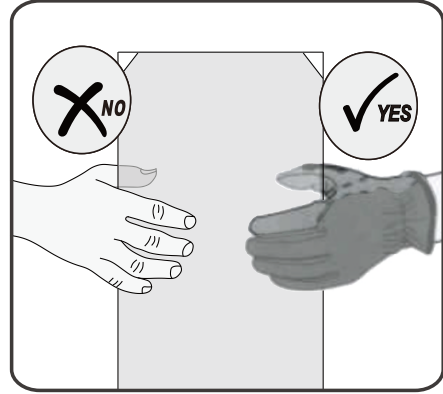
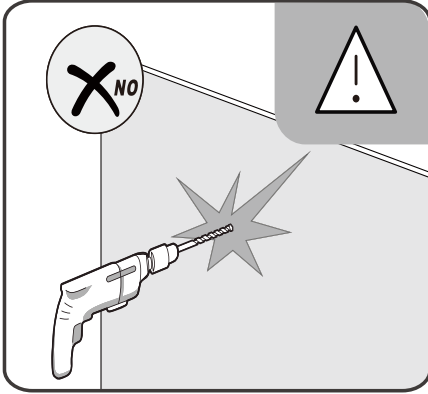
SF100-SF150

ASSEMBLY MANUAL

MONTÁŽNÍ NÁVOD



CAUTIONS



TOOLS REQUIRED



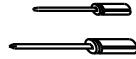
PENCIL



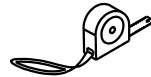
($\varnothing 6$ $\varnothing 3.2$)
DRILL BIT



SILICONE & GUN



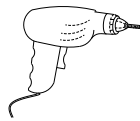
FLAT HEAD & CROSS
HEAD SCREWDRIVER



TAPE MEASURE



SPIRIT LEVE


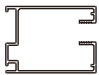



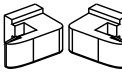



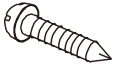

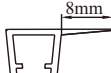
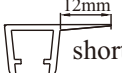

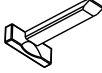
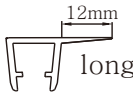
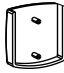


DRILL

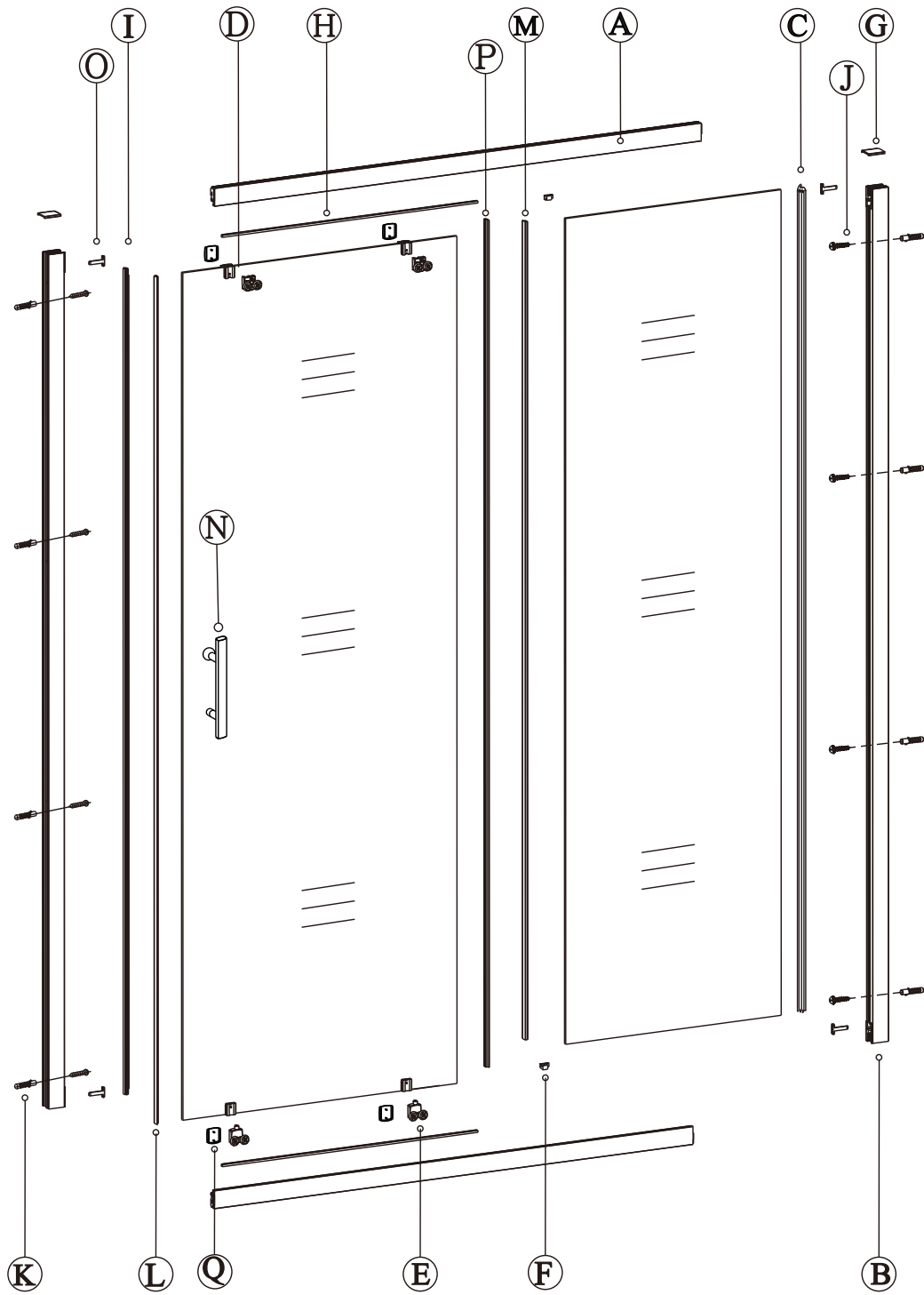


RUBBER HAMMER

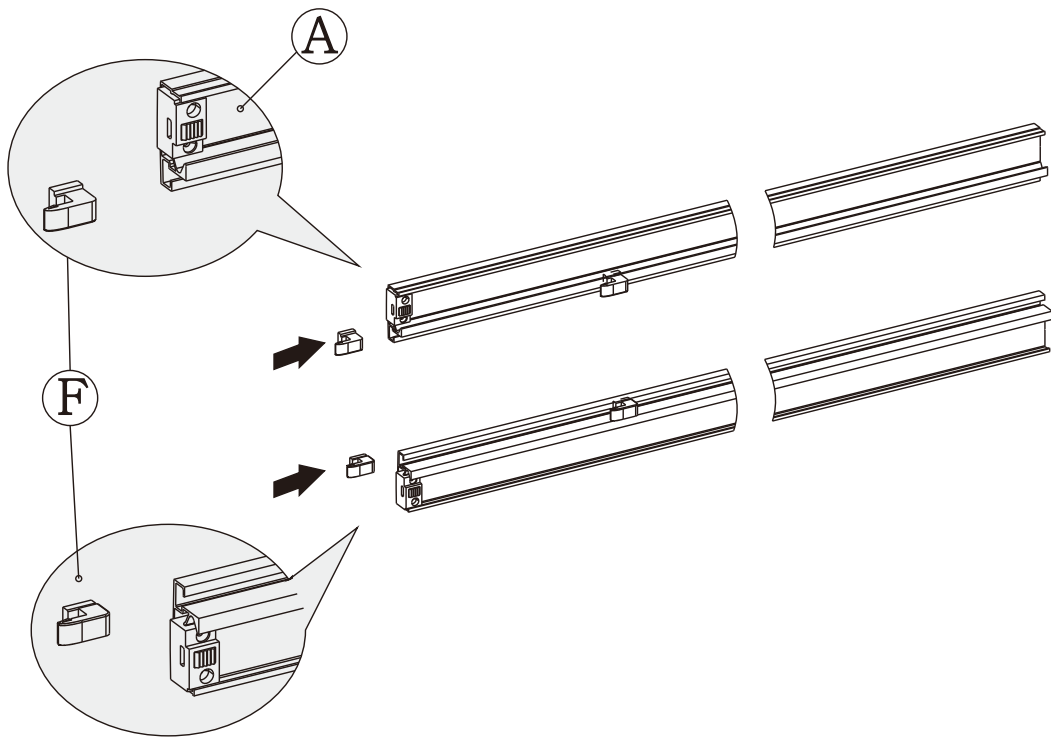
PACKING LIST

A B-702  X2	B B-823  X2	C C-022  X1	D D-068  up X2	E D-069  down X2
F I-974  L/R X2	G I-1084  L/R X2	H C-330  X2	I C-294  X1	J ST4*40  X8
K I-432  X8	L C-333  8mm X1	M C-335  12mm short X1	N E-029  X1	O I-948  X4
P C-335  12mm long X1	Q I-942  X4			

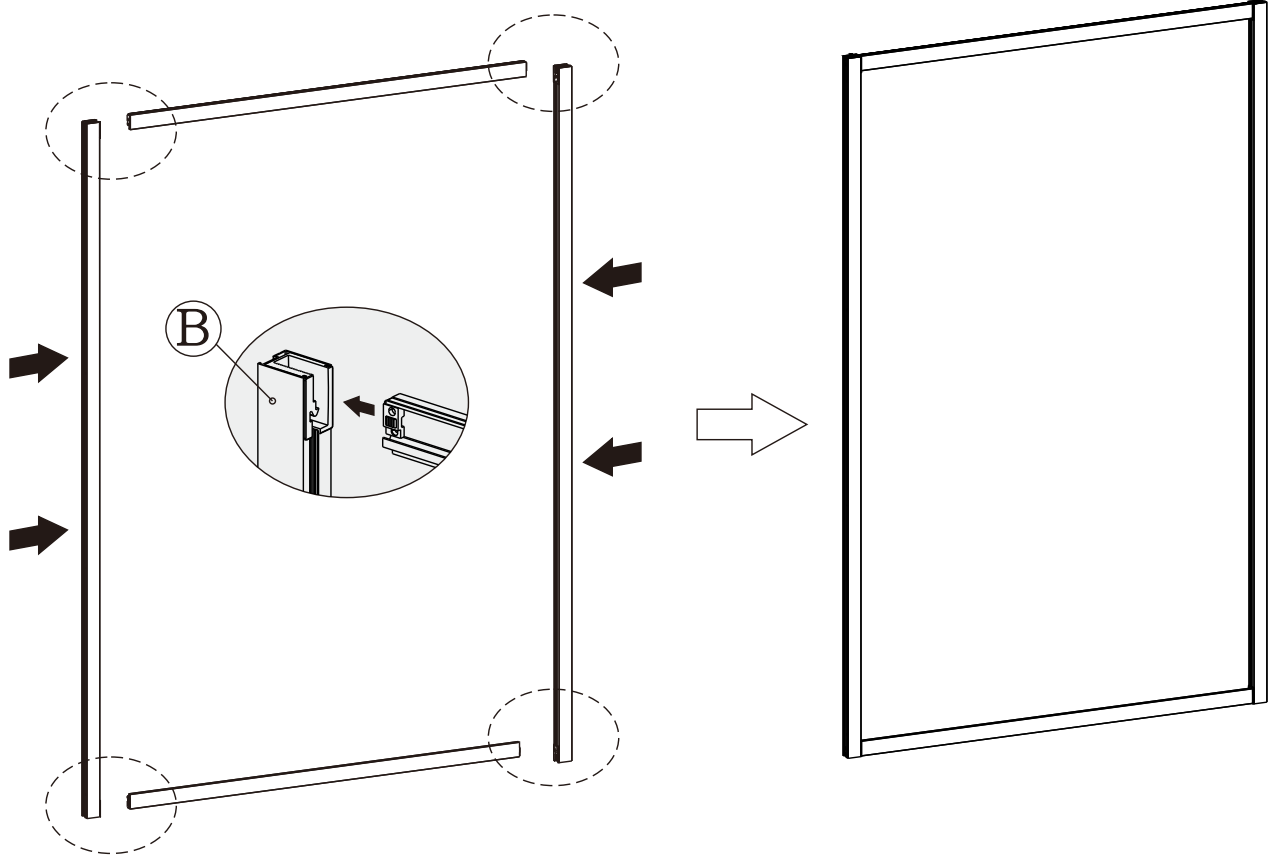
PRODUCT SCHEMATIC DIAGRAM



1

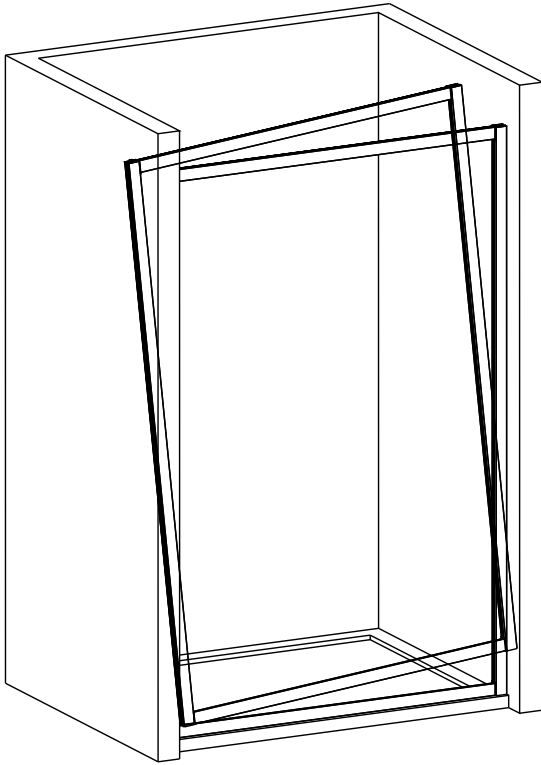


2

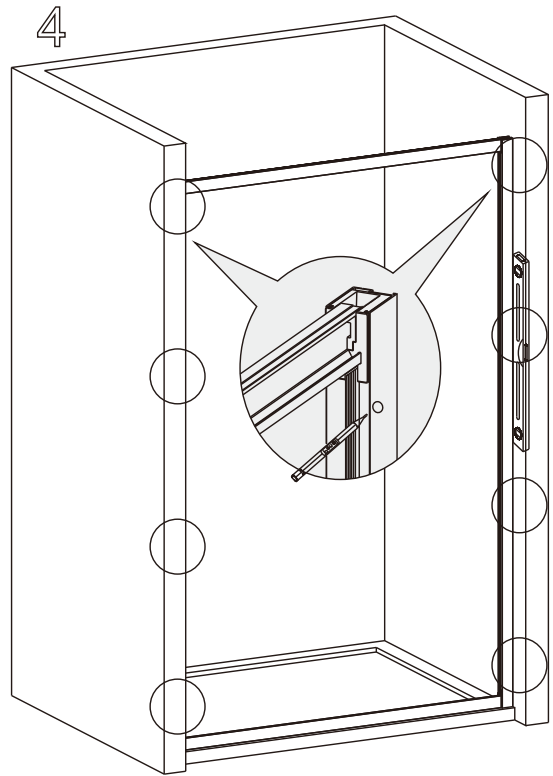


(3)

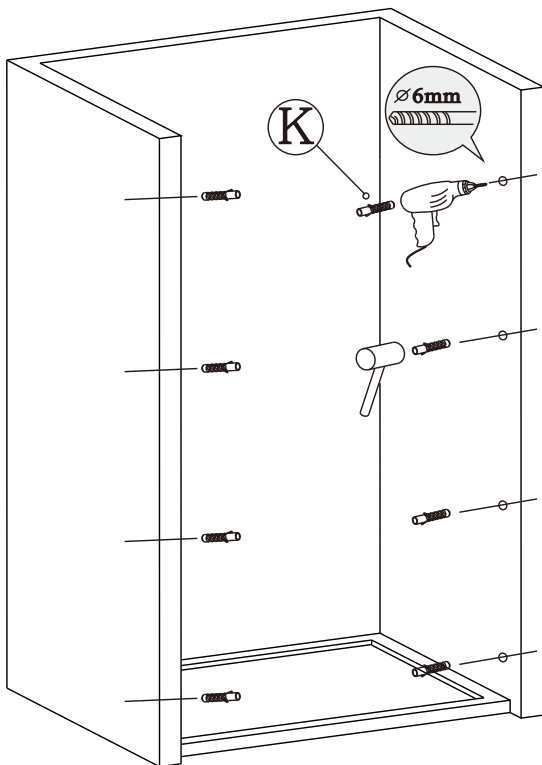
3



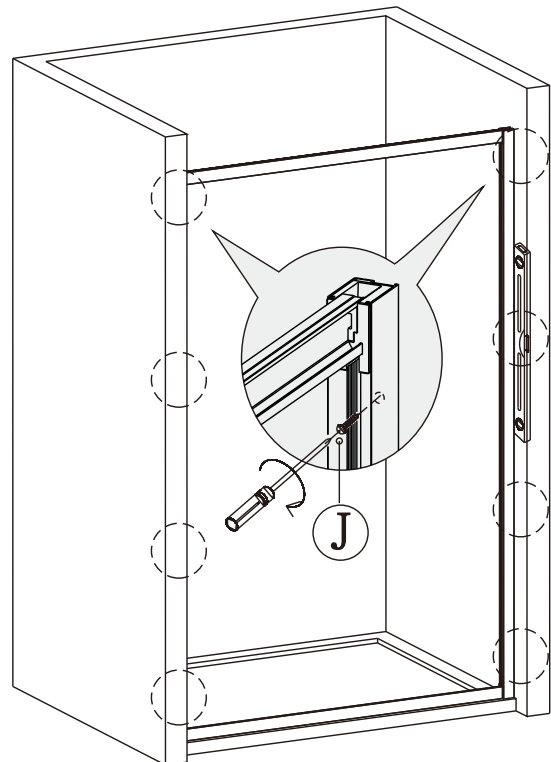
4



5

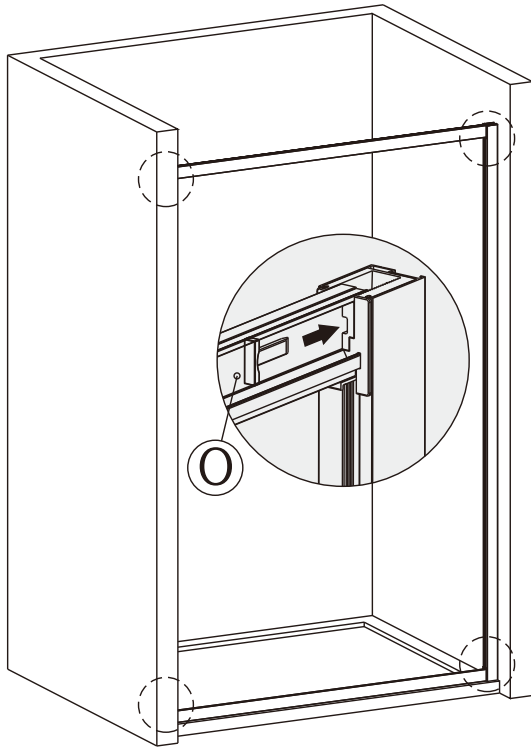


6

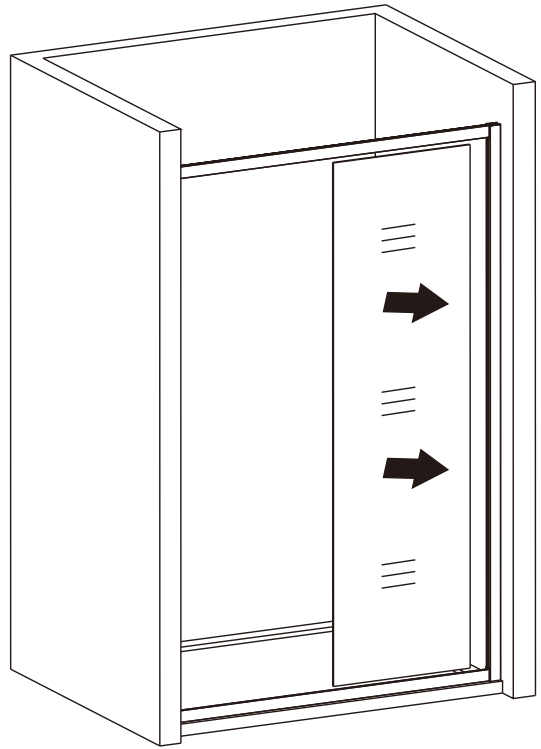


(4)

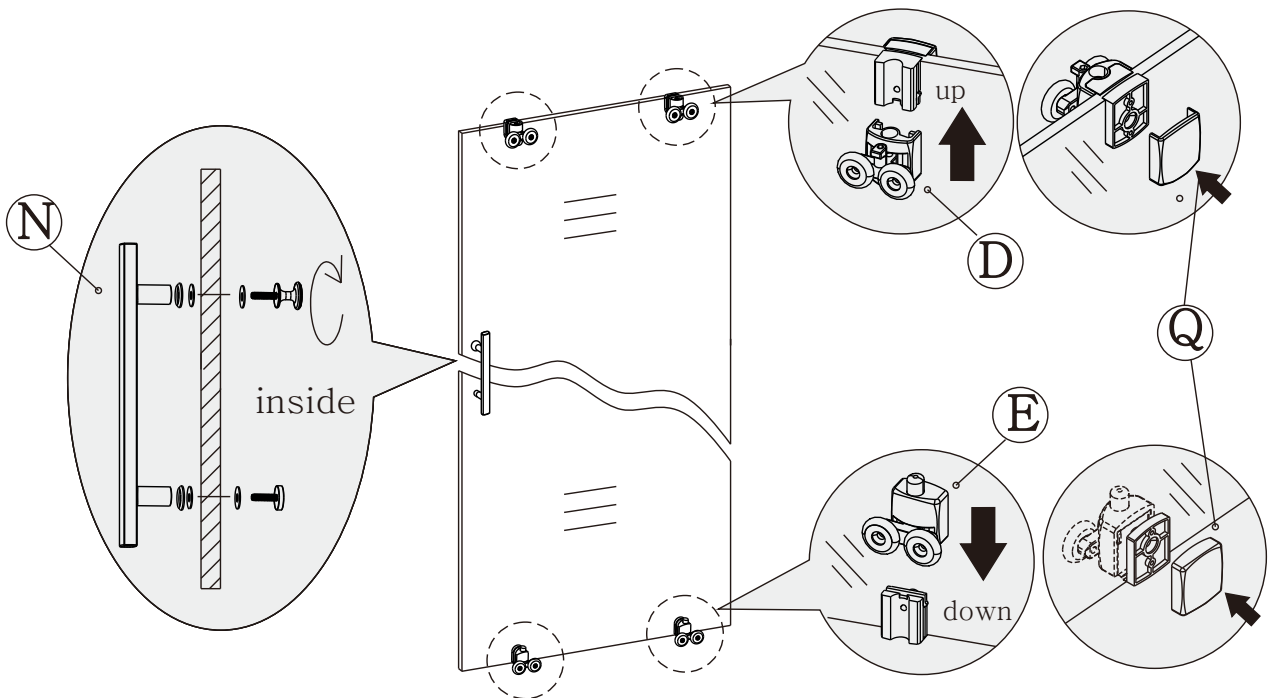
7



8

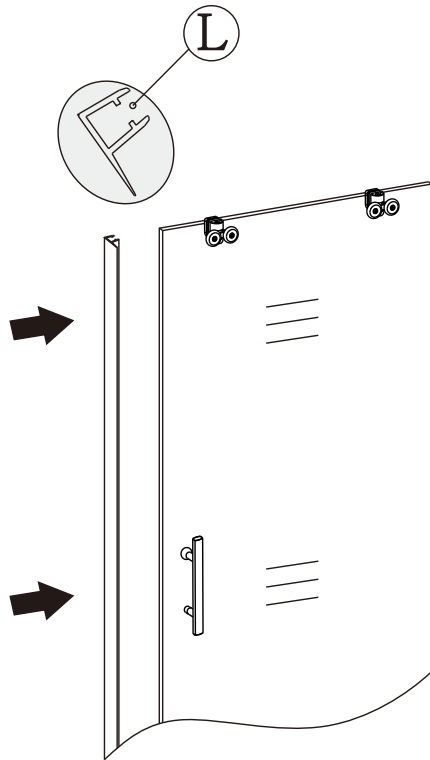


9

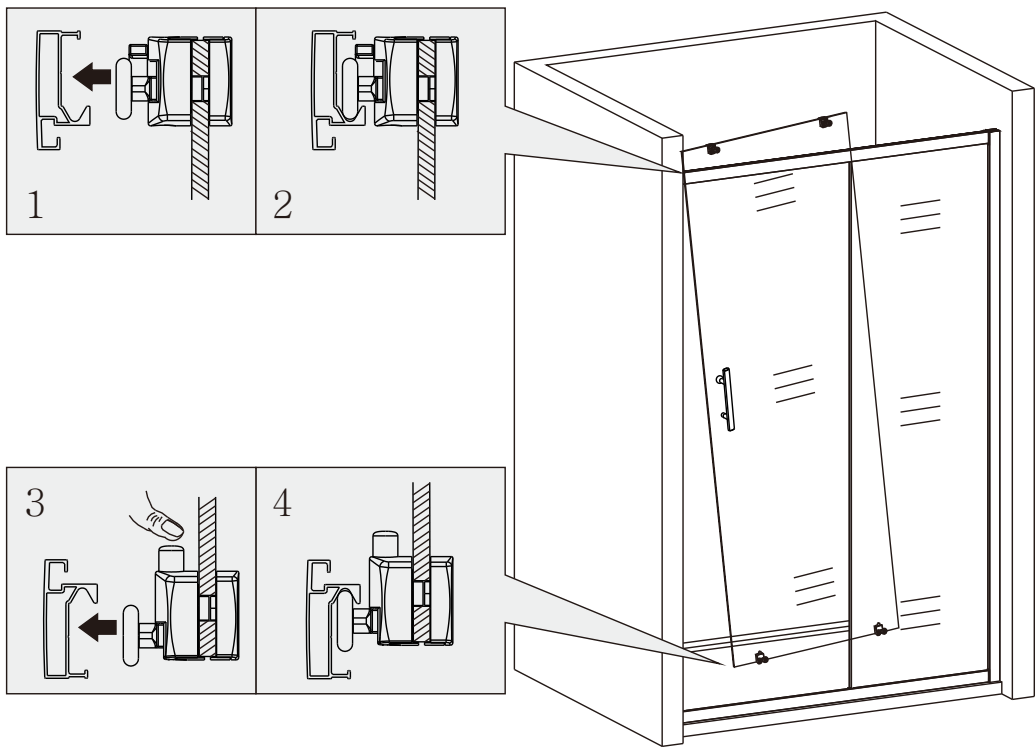


(5)

10

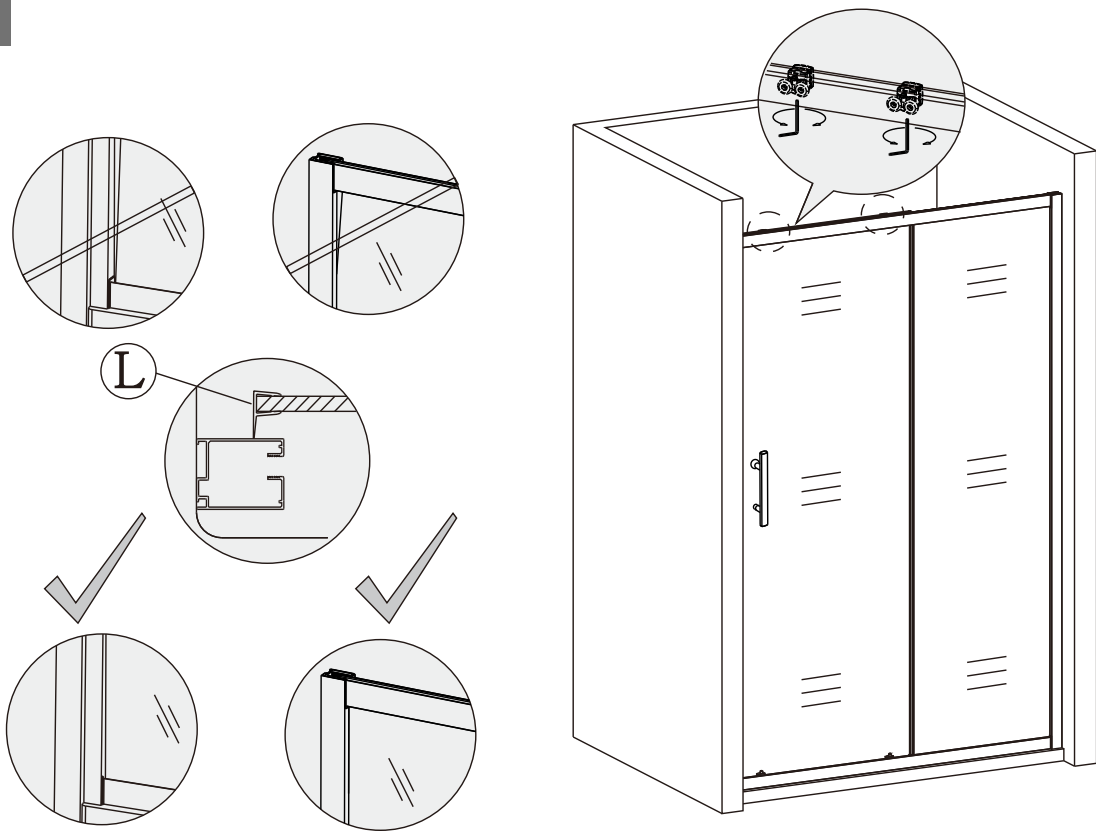


11

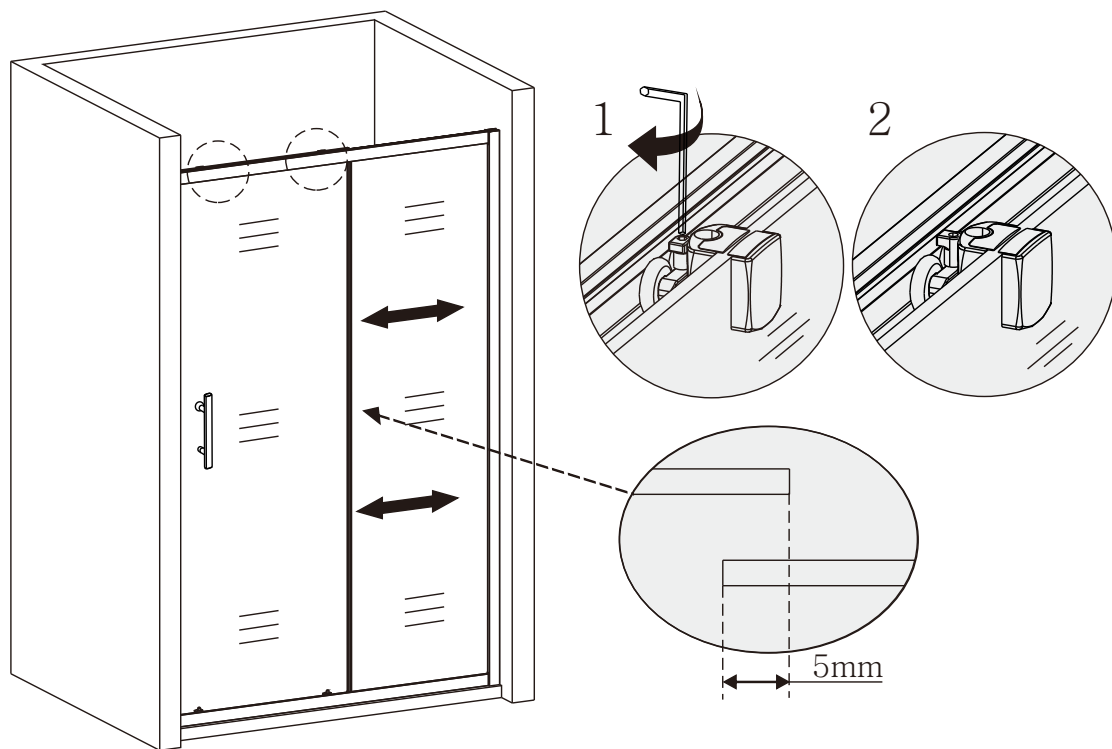


(6)

12

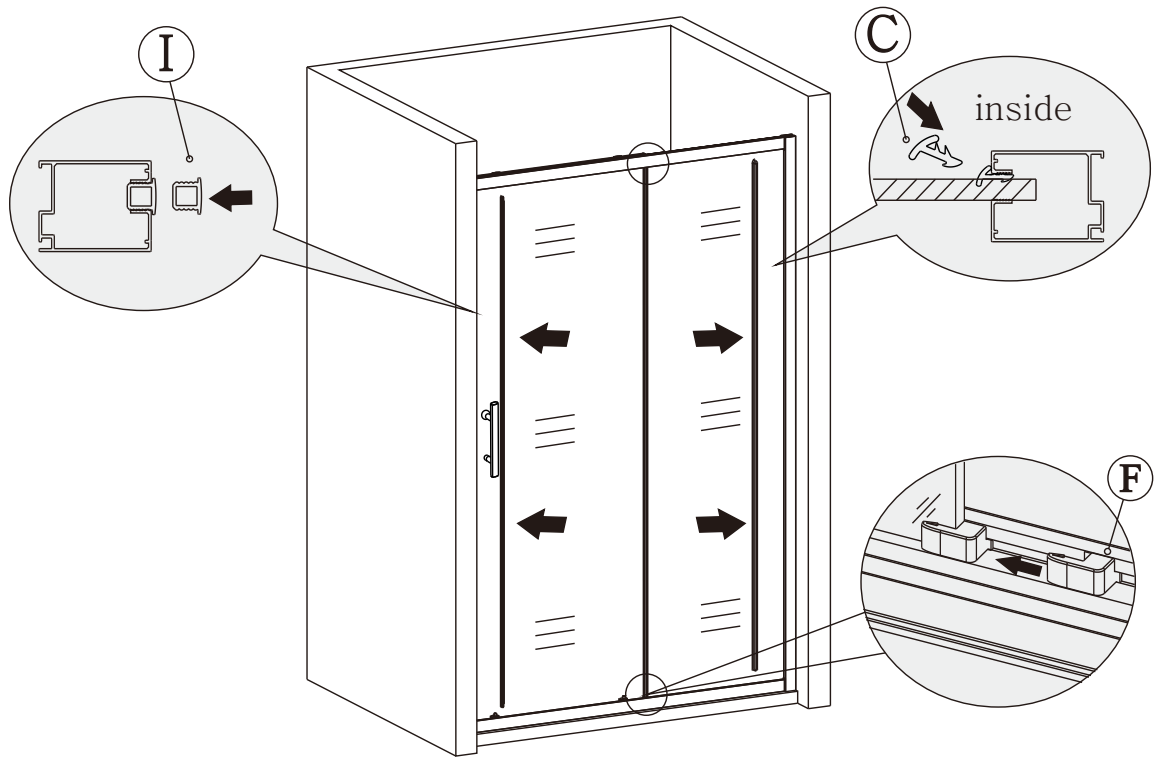


13

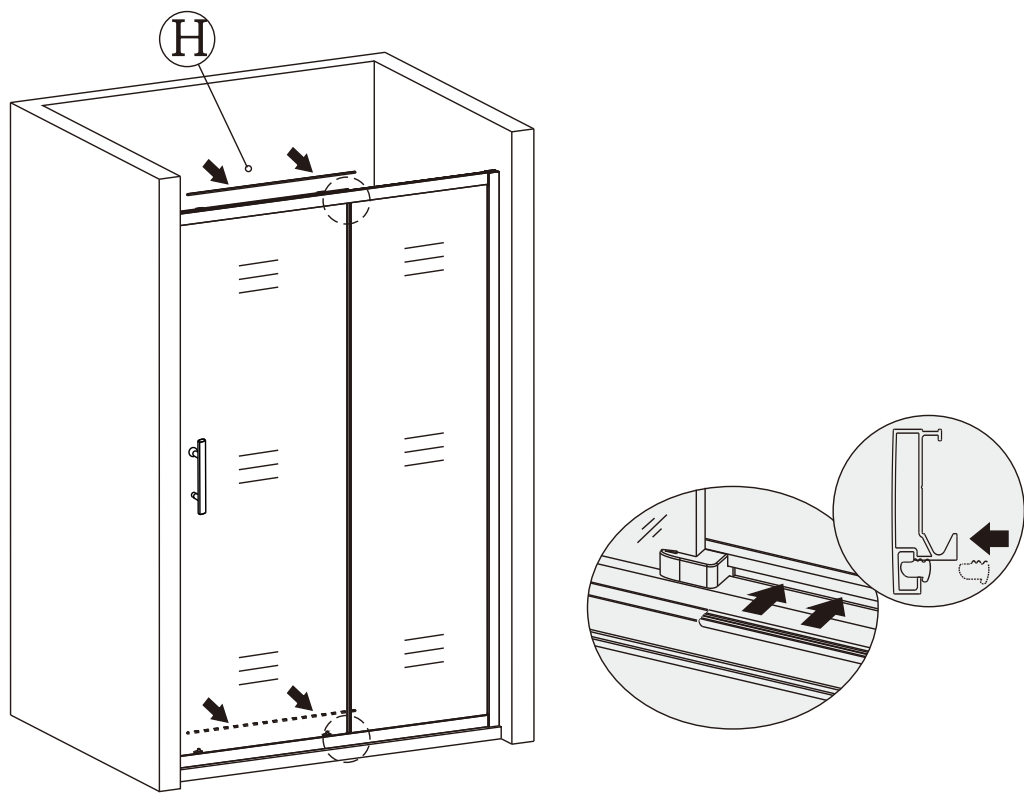


(7)

14

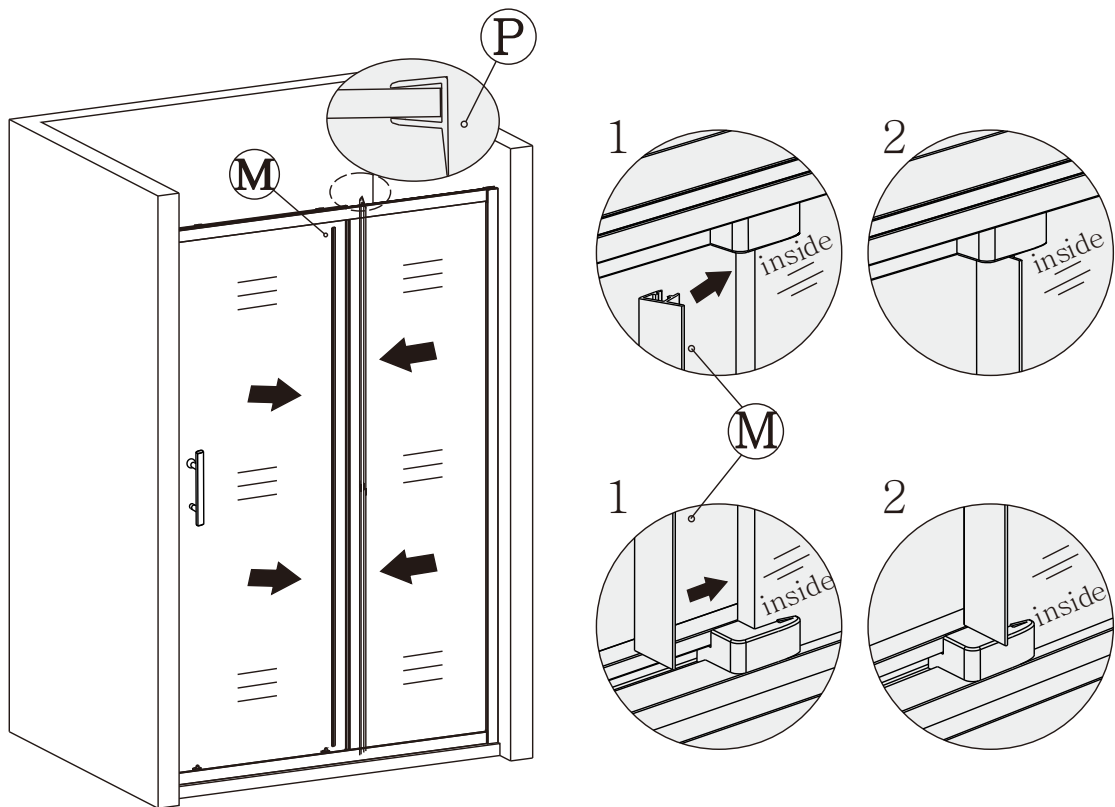


15

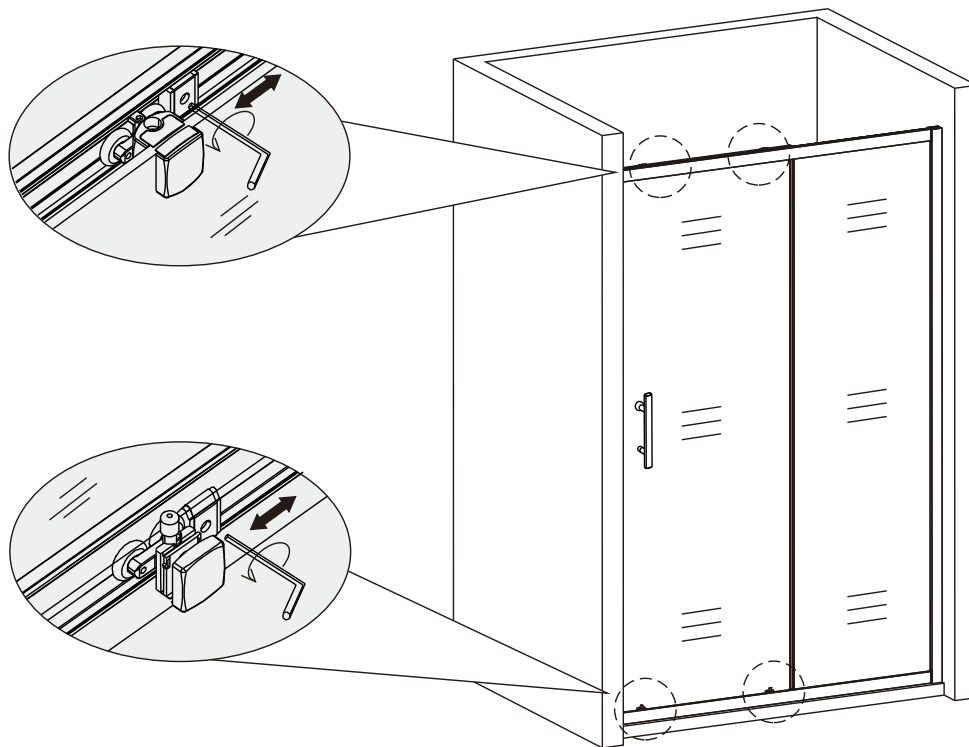


(8)

16

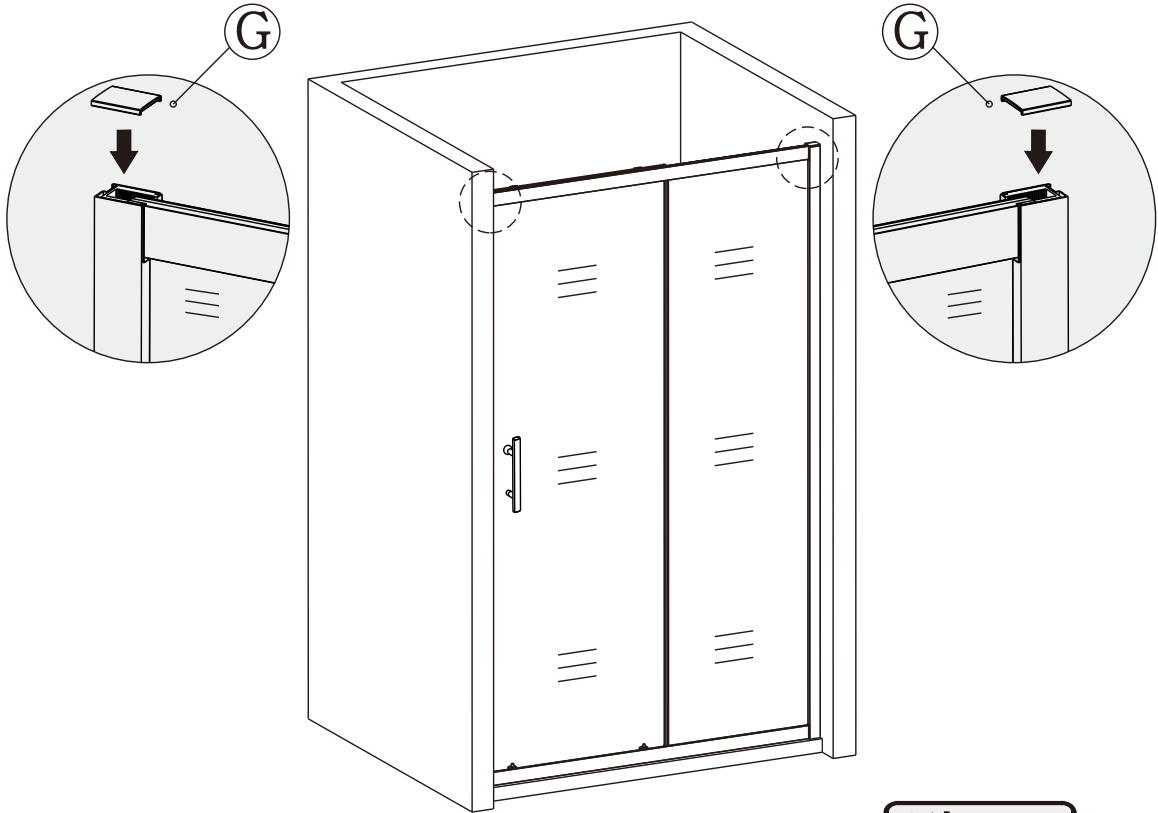


17



(9)

18



19



Apply some silicone on the outside edge of the shower enclosure (between the wall profiles and wall and between the frame and the tray) to enhance waterproof. After installation, it needs 24hours for silicone to dry before being put into use.

Cleaning & maintenance

Clean the sundries regularly to prevent the drain from being jammed. Usually, clean the shower enclosure by mop with mild detergent.

Don't clean the shower enclosure with irritant detergent, such as alcohol, gasoline or other chemical cleaner.

Should there be any dirty stains on the shower enclosure, you may clean it by calico with toothpaste, but you need to clean it with water afterwards.

After the installation is completed, if you find there is much noise when the glass door moves, you may add small quantity of lubricant onto the roller wheel, slipping hook and the track.