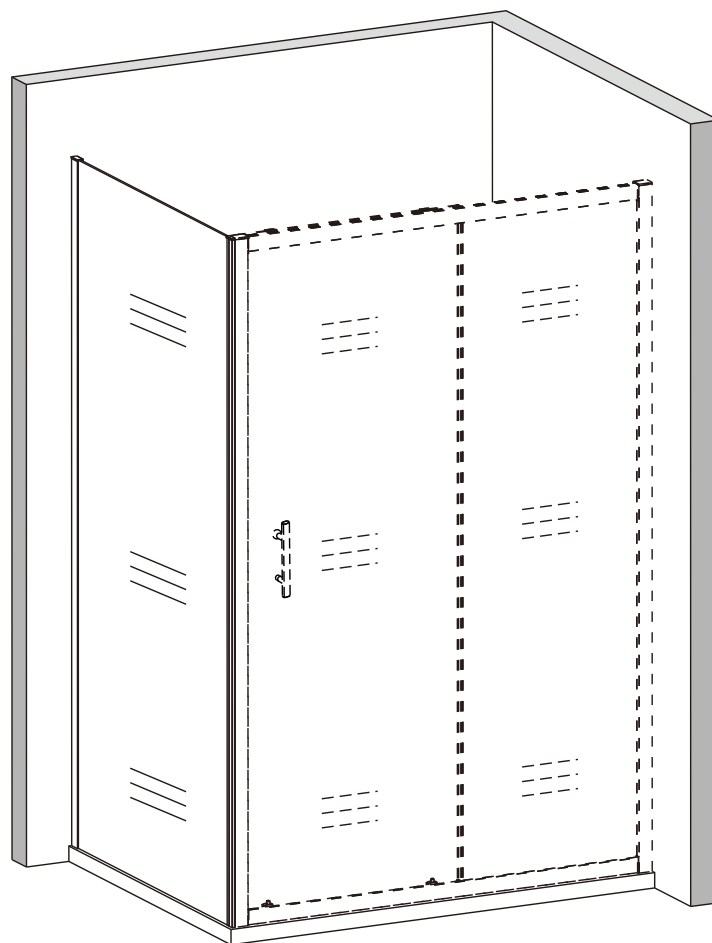


FLEUR LINE

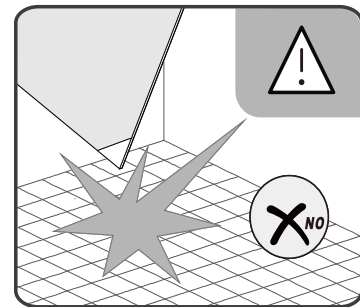
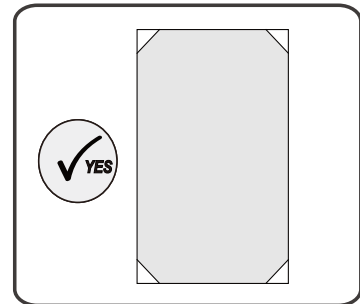
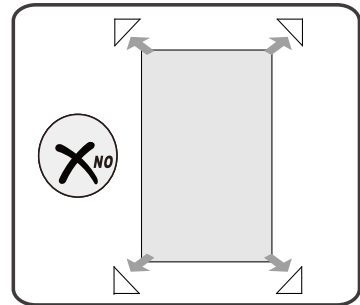
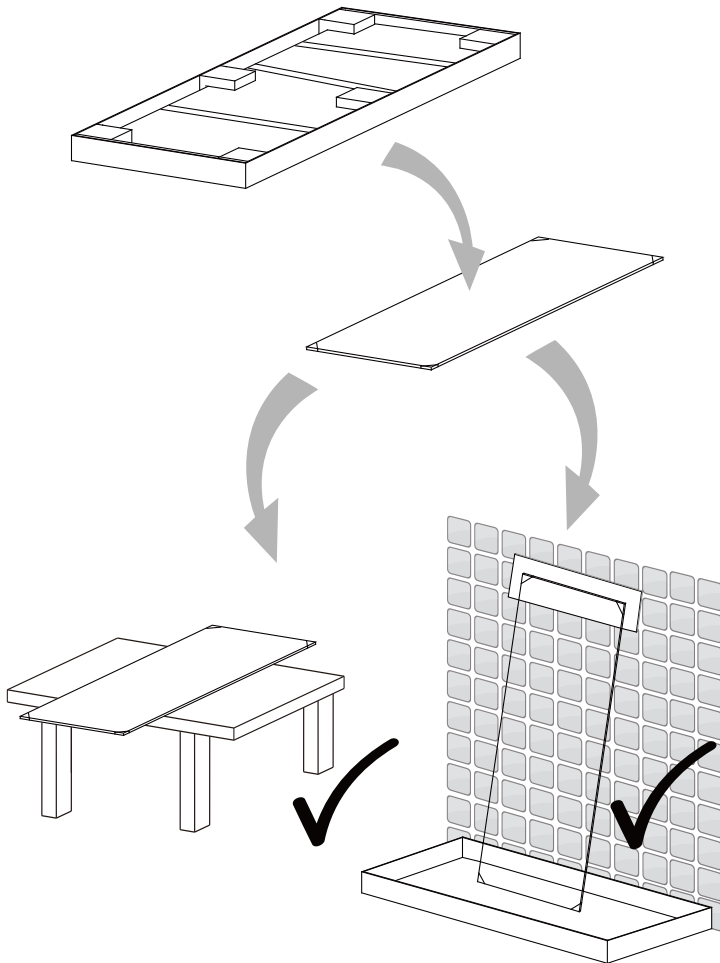
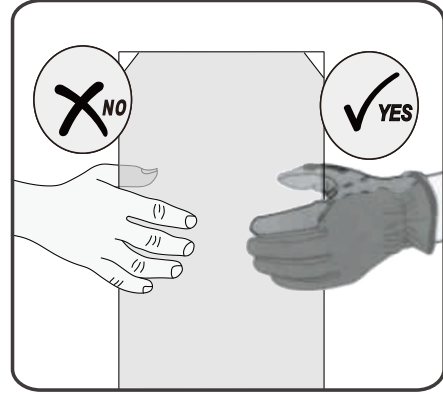
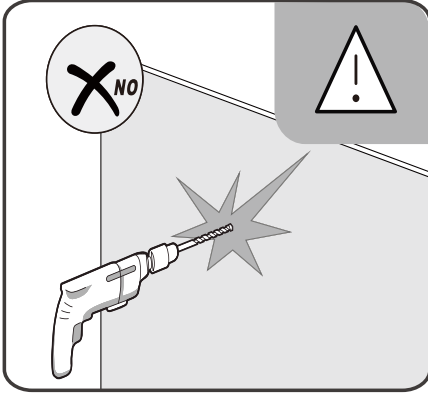
SF370-SF390

ASSEMBLY MANUAL

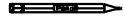
MONTÁŽNÍ NÁVOD



CAUTIONS



TOOLS REQUIRED



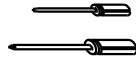
PENCIL



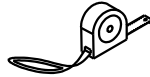
($\varnothing 6$ $\varnothing 3.2$)
DRILL BIT



SILICONE & GUN



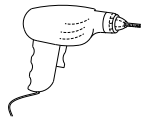
FLAT HEAD & CROSS
HEAD SCREWDRIVER



TAPE MEASURE



SPIRIT LEVE

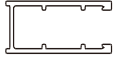





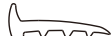


DRILL



RUBBER HAMMER

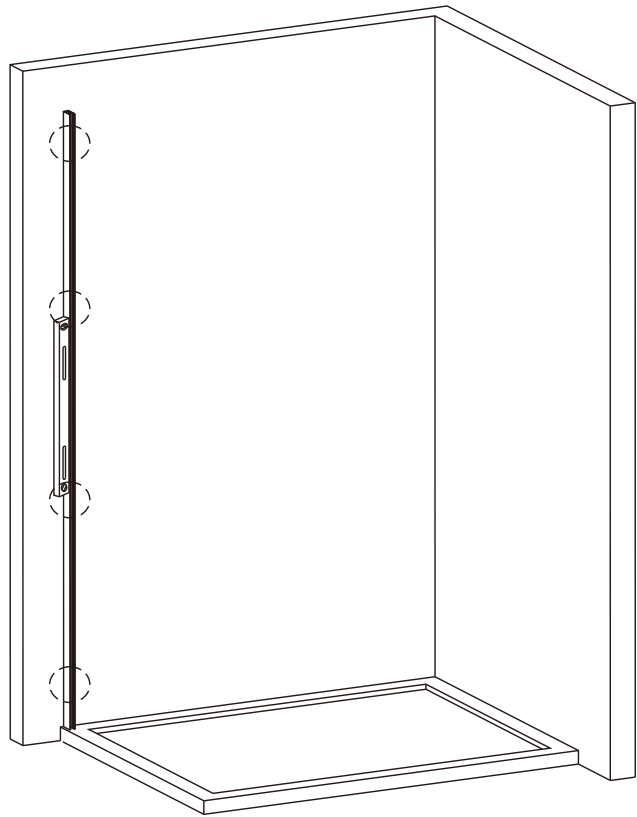
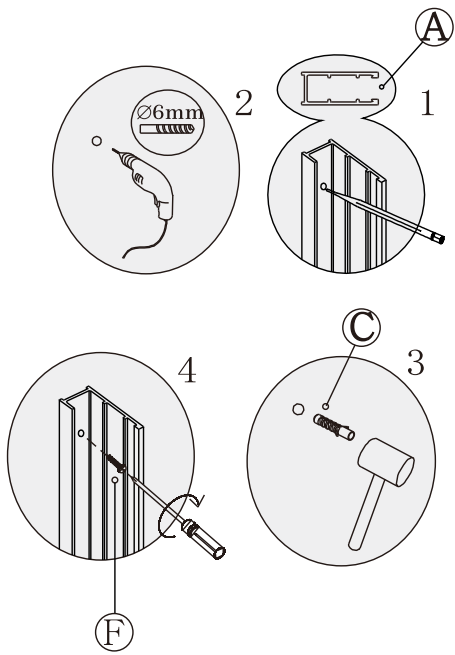
PACKING LIST

<p>A B-554</p>  <p>X1</p>	<p>B C-338</p>  <p>X1</p>	<p>C I-432</p>  <p>X4</p>	<p>D I-739</p>  <p>X1</p>	<p>E I-1083</p>  <p>X2</p>
<p>F ST4*40</p>  <p>X4</p>	<p>G C-391</p>  <p>X1</p>			

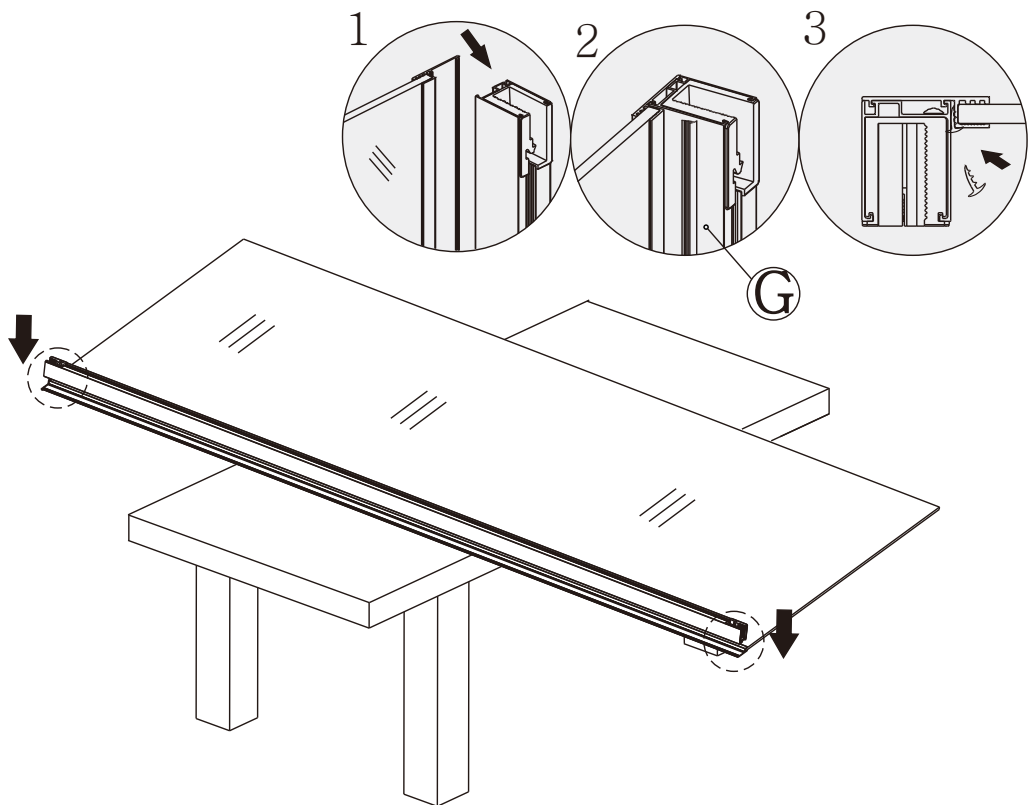
PRODUCT SCHEMATIC DIAGRAM



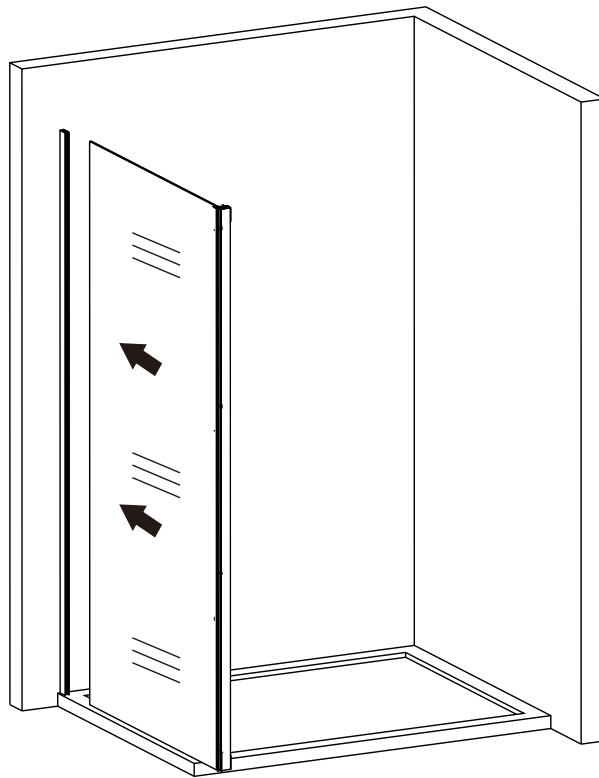
1



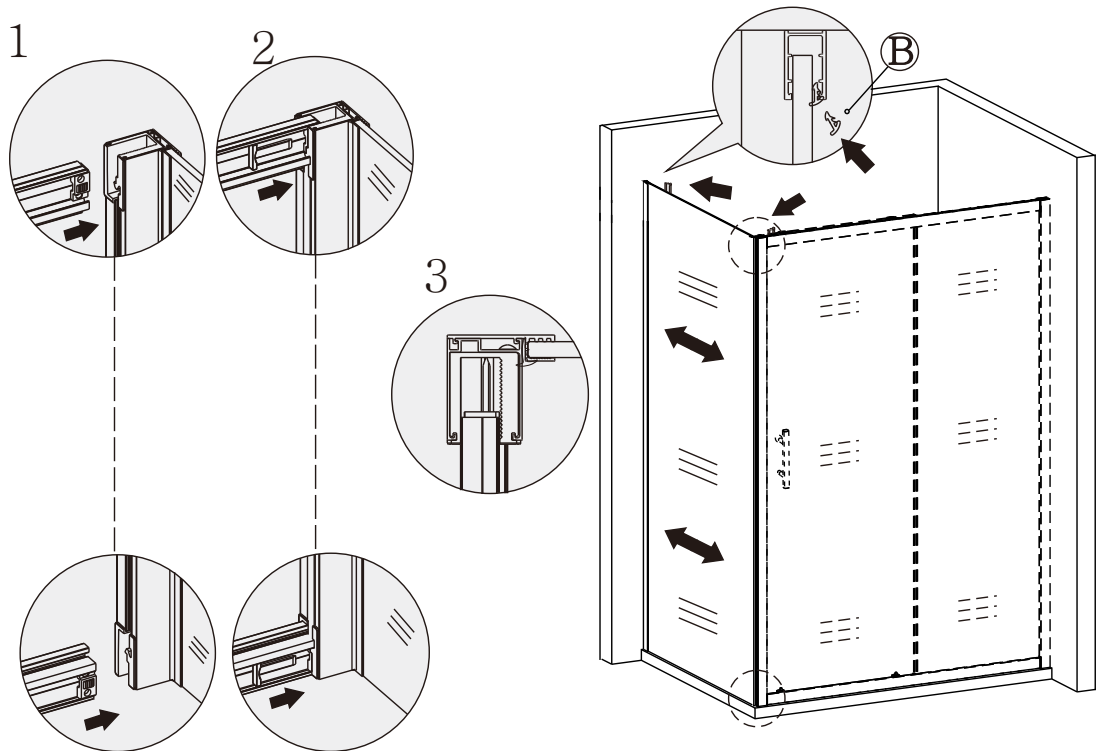
2



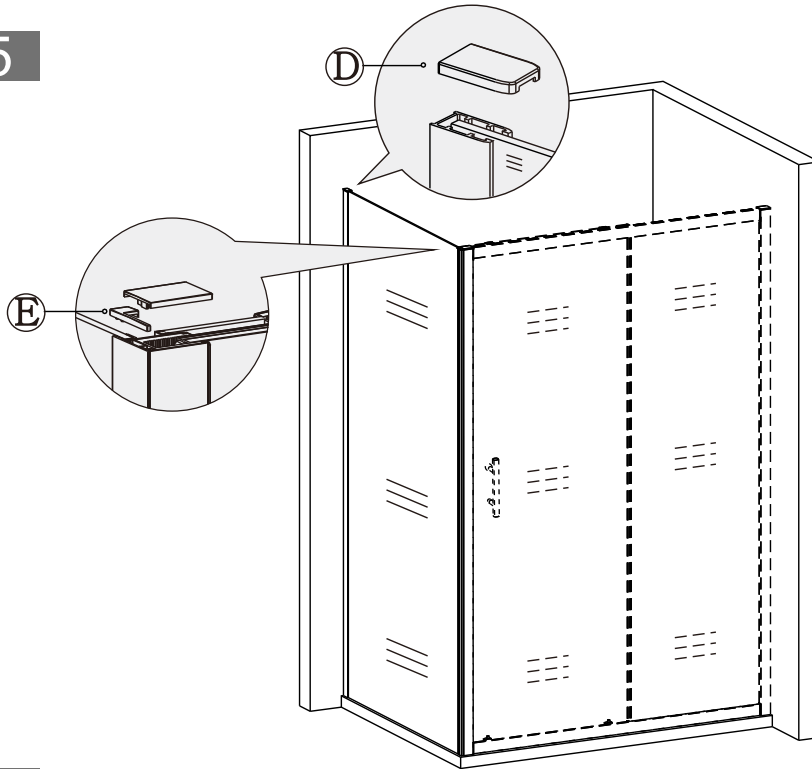
3



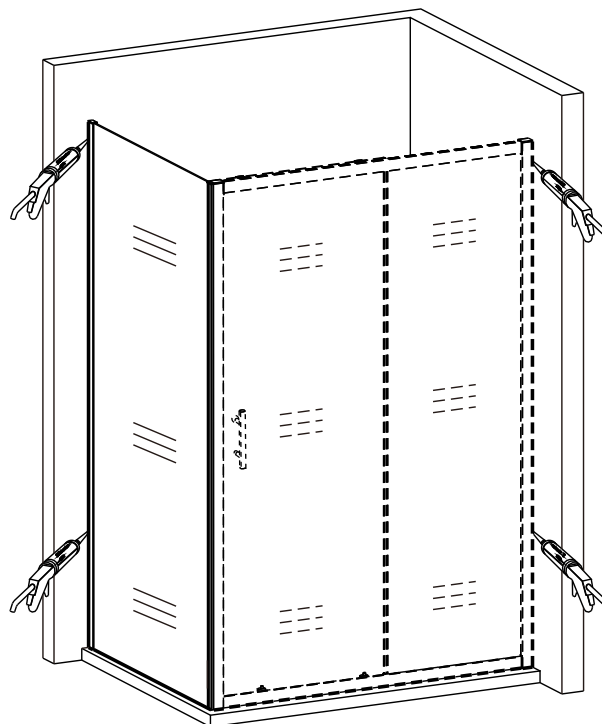
4



5



6



Apply some silicone on the outside edge of the shower enclosure (between the wall profiles and wall and between the frame and the tray) to enhance waterproof. After installation, it needs 24hours for silicone to dry before being put into use.

(5)